



# DIAPER CHANGING STATION

TBC 110, TBC 210



# JAVA

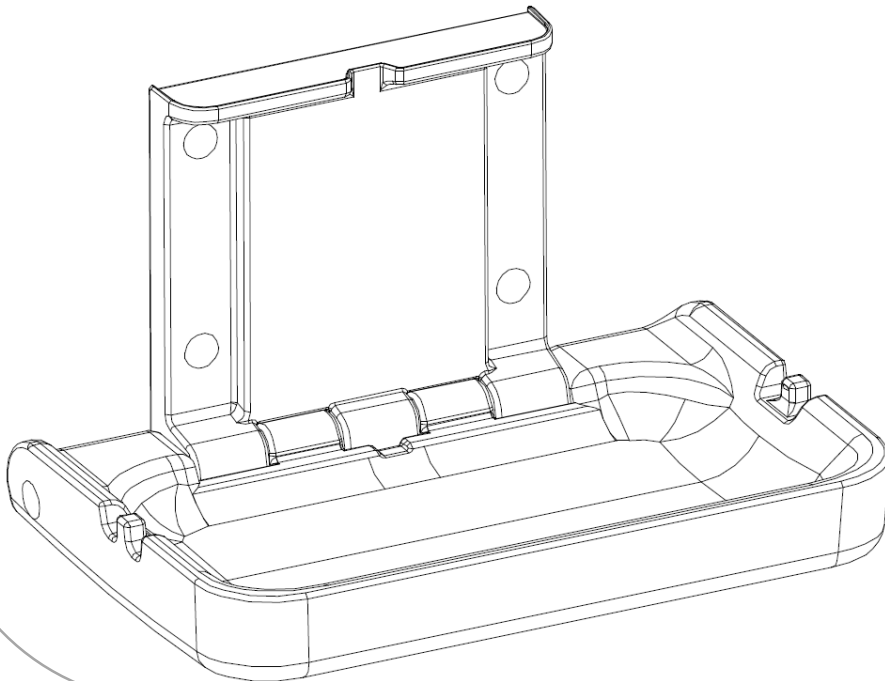
# Diaper Changing Station

**JAVA**  
Invitation to the Digital Revolution



**TBC110(Vertical)**

**820(W)\*550(H)\*145(D)**



# Diaper Changing Station

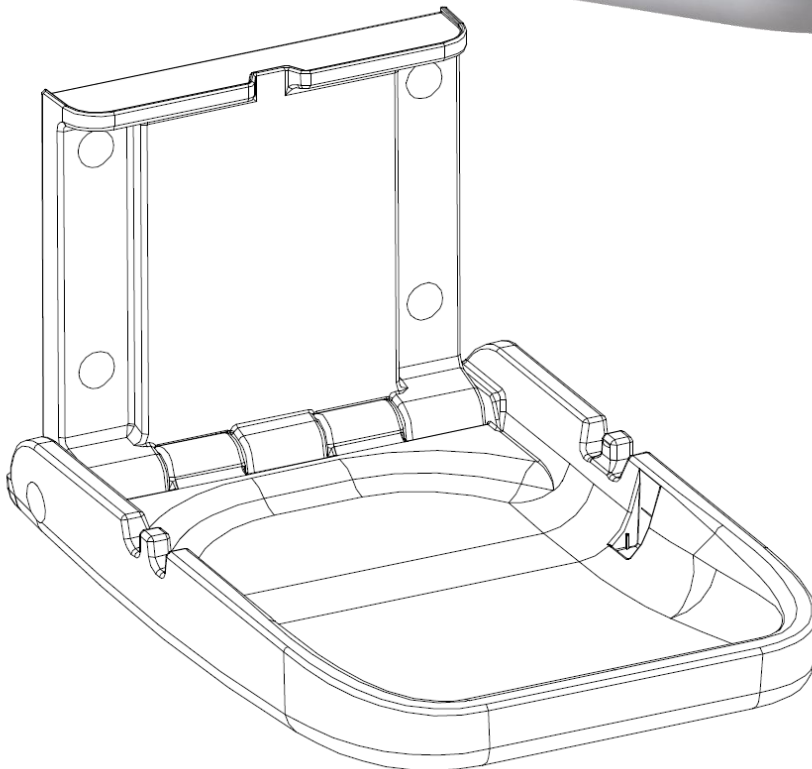
**JAVA**  
Invitation to the Digital Revolution

**TBC210(Horizontal)**

550(W)\*860(H)\*145(D)

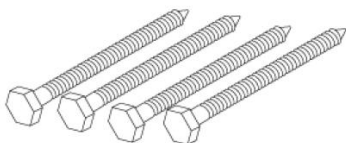


**JAVA**



# Diaper Changing Station

## Extra Parts



Nuts



Nylon Anchor



Washer



Lid

## English Instruction Manual

### Diaper Changing Station

\*Refer to this manual, its & rights

**JAVA** www.java.com

---

**1. Safety Warning**

**Warning** If notice with this sign is disregarded or misused, users may be hurt or property damaged can be occurred.

- Never leave baby alone without guardian.
- Be sure to fasten the seatbelt to baby in use, if not, baby could be seriously wounded.
- It must be inspect regularly and tight the all nuts, spare parts and mounting tools.
- Never lose the cover of nuts. If baby's cloth or body is stuck in the space, baby could be wounded seriously.
- Do not install the product close to electric heater, electric fire, a radiator and fire place etc.
- Check the seatbelt which is combined with product safety.
- Available baby weight under 15kg.

**2. Feature of product**

- 100% Korean made.
- It is included shelf and bag stand for user.
- It considers the baby's safety with safety belt of 38mm and its blockage structure prevents from falling down baby.
- It has ergonomic hand shape so it can easy to clean and care for product.
- We have 2 types of products (Vertical and horizontal). It is possible to choose the proper type depending on the space.

**3. Features of Product**

Model	TBC110(Vertical)	TBC110(Horizontal)
Dimension	810*520*1145	510*560*1145

**4. Parts of the product**

Nuts	Nylon Anchor	Washer	Lid	Sticker

**5. Warning for Installation**

**Warning** Diaper Changing Station has to install the reinforced wall that could endure 1000N (more than 1000kg). Anchor bolt should insert layer concrete to more than 40mm.

**Packaging** After cutting the dotted line, make the box 100mm height and support product on the box, and then builder can install the product easily. (It is easy to construct when using the packing box eliminates installation time)

**6. Installation Method**

1. Installation height is 900mm from the floor. And drilling 80 and then insert the nylon anchor (tighten the screw leaving 5mm).

2. Construct the product with supporting bolt.

3. Installed screw (fits up hole (C)) of installing product horizontally, and drilling 4 points (A) marks on the wall.

4. Inserting the anchor bolt after fit the product horizontally tighten the washer and fixation bolt.

5. It is finished with offered cover with fixation bolt after fixation.

6. User can choose the construction methods of convenient way (1, or 2).

**7. Construction Drawing**

**Free Repair Regulation**  
Free repair can be provided only when the machine has troubles within 1year after purchasing date (warranty period).

**Repair and Inspection**  
When it is in use and installation, refer to the homepage of self diagnosis.  
Repair and inspection  
-When open and shut the station, is there any rattling noise?  
-Close the safety seat belt.  
-Does any damage on the buckle? -Does buckle close with click sound?  
-When buckle did not buckle some animal?  
-Does each part loosen? -Can you see clearly sticker?

**Warning** Check the product once a day for safety.  
If user of user find the abnormality, suspend the use then contact the authorized retail stores.

## English Stickers

